

# i5P

## Maximized Performance in a Compact Design Marine Satellite TV Antenna System

**HDTV**  
COMPATIBLE



### Just the Right Fit

The i5 is the world's first 21" satellite TV designed for cruising vessels who require exceptional TV service throughout EMEA and Latin America regions. The antenna is purpose built to provide just the right fit for vessels 40 to 60 feet.

### Quicker & Quieter

Intellian's patented iQ<sup>2</sup> technology delivers the best user experience on the market today. An advanced signal searching algorithm acquires the satellite 4-5 times faster than conventional methods. Intelligent, real time beam analysis holds the signal and reduces overall motor movement by up to 80%, enabling quiet enjoyment of your favorite programming.

### Simple & Easy Installation

With just a single cable to connect the antenna to the ACU. The i5P system is quick and easy to install. Our intuitive ACU features a front panel display with functional keys and requires minimal setup so you can begin to enjoy TV programs in no time.

### Wireless Control via Aptus

Built-in Wi-Fi enables the ACU to be wirelessly managed and controlled via Aptus PC or Mobile, Intellian's antenna control software. Aptus user-friendly displays vital performance metrics in a graphical format that simplifies operation. It even includes an

auto diagnostic function designed to help solve problems quickly should they arise. The Aptus Mobile application is available in the Apple Store and Google Play.

### Auto Skew System

The i5P comes standard with an Auto Skew system that is designed to operate throughout EMEA and Latin America regions. This feature makes switching regions or TV service providers easy since there is no need to manually adjust the LNB skew angle.

### Built-in GPS

The i5P's built-in GPS facilitates easier installation by eliminating the need to integrate with the vessel's navigation system. Additionally, GPS enables faster signal acquisition and improves overall tracking performance.

### Simple Network Update Process

Easily respond to satellite TV service network changes that may cause outages. Aptus Mobile automatically checks for these updates, enabling users to stay current with any changes through a simple mobile app process.

### Tune in your favorite HDTV channels

Intellian's i5 receives HD channels from any Ku- band TV service. Enjoy HD programming while at the dock, anchored, or cruising across the sea.

# i5P Maximized Performance in a Compact Design

## Marine Satellite TV Antenna System

### Technical Specifications

Physical	
Radome Height	62.7 cm / 24.7"
Radome Diameter	61 cm / 24"
Reflector Diameter	53.5 cm / 21"
Weight	17.3kg / 38lbs
Environmental	
Operating Temp. Range	-25°C to +55°C / -13°F to +131°F
Storage Temp. Range	-40°C to +80°C / -40°F to +176°F
Water Ingress	IPX6
Approvals	CE / FCC
Warranty	3 year parts and 1 year labor
Performance	
Reception Frequency	Ku-band (10.7~12.75GHz)
Polarization	Linear (other LNB options available)
Minimum EIRP	47dBW
Azimuth Range	680°
Elevation Range	0° to +90°
Ship's Motion	Roll ±25°, Pitch ±15°
Roll & Pitch Response Rate	50° / sec
Turning Rate	50° / sec
RF Output	Quad Output
Antenna Control Unit	
Dimensions (WxDxH)	17.8cm x 21.7cm x 5.4cm / 7" x 8.5" x 2.1"
Weight	1.2kg / 2.6lbs
Display	2 line 20 character VFD module
GPS Interface	Built-in (NMEA 0183 GPS)
Power Requirement	9.0~30.0V DC
Power Consumption	Typ. 30W, Max. 50W

### Key Features

#### Fully Automated System

- Automatic satellite search and identification.
- 2 axis step motors move automatically to stabilize antenna to maintain TV reception.

#### Axially Displaced Ellipse (ADE) Antenna Design

The i5P's highly efficient parabolic antenna using ADE design improves the overall performance in a compact antenna.

#### Wide Range Search (WRS) Algorithm

Intellian's exclusive WRS algorithm locks onto even the weak edges of a satellite signal and then instantly finds the signal peak, four to five times faster than conventional antennas.

#### Dynamic Beam Tilting (DBT) Technology

A high-speed sub-reflector rotates off axis, checking signal strength at 50 times per second and compensating the tracking direction. Less movement of the main-reflector means less noise and extends the product life.

#### DVB-S2 Signal Identification

High speed identification employing DVB-S2 Decoder.

#### Antenna Control Unit

- Intuitive controls with a digital information display on the ACU.
- Wireless automated updates and diagnostics via Aptus PC and Aptus Mobile.

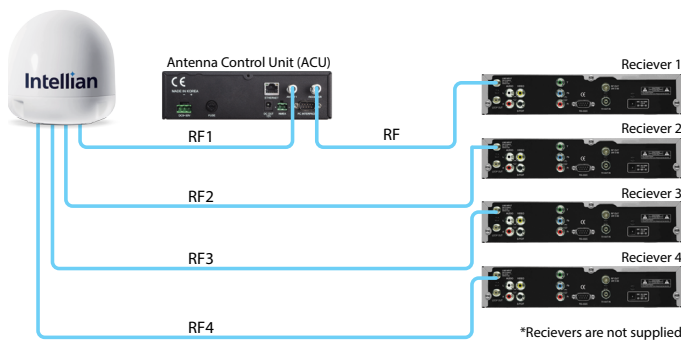
#### Built-in GPS and NMEA 0183 Interface Port

The i5P includes a built-in GPS inside of the Antenna Unit for faster signal acquisition. The ship's GPS can also be connected through the NMEA 0183 port on the rear panel of the ACU.

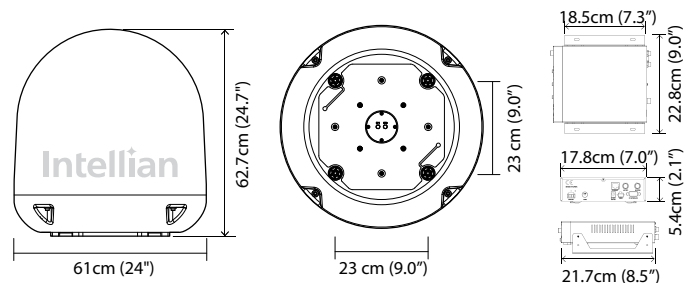
#### Automatic Polarization (Skew-angle) Control

Automatic Skew Angle Control System (-90°~ +90°) for Linear Horizontal/ Vertical Polarization.

### System Diagram



### System Dimensions



**Global HQ**  
**Innovation Center**  
 Intellian Technologies, Inc  
 T +82 31 379 1000  
 F +82 31 377 6185

**APAC**  
**Seoul**  
 Intellian Technologies, Inc.  
 T +82 2 511 2244  
 F +82 2 511 2235

**Americas**  
**Irvine**  
 Intellian Technologies USA, Inc.  
 T +1 949 727 4498  
 F +1 949 271 4183  
 Toll Free +1 888-201-9223

**EMEA**  
**Rotterdam**  
 Intellian B.V.  
 T +31 1 0820 8655  
 F +31 1 0820 8656